

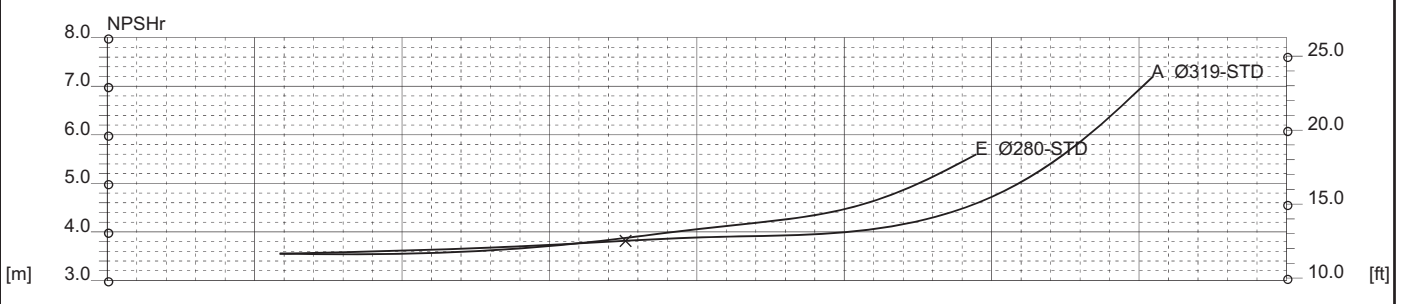
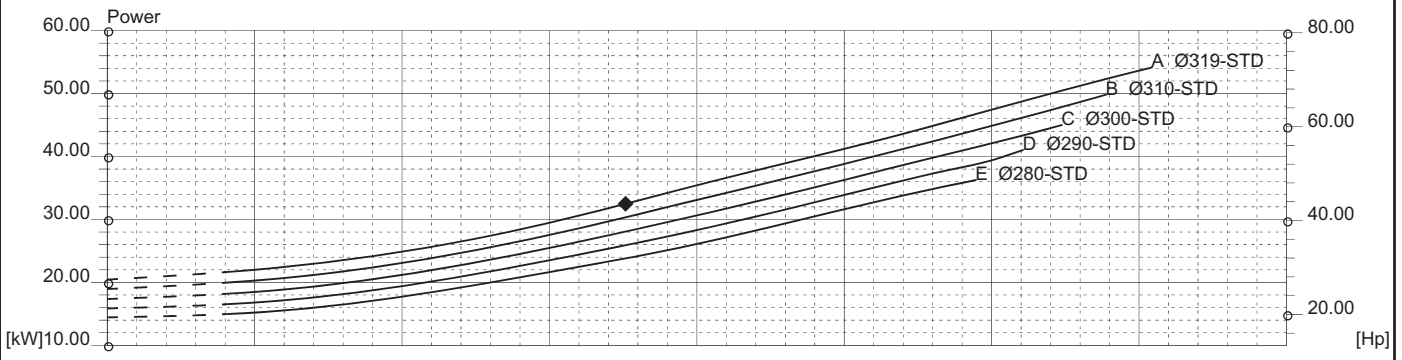
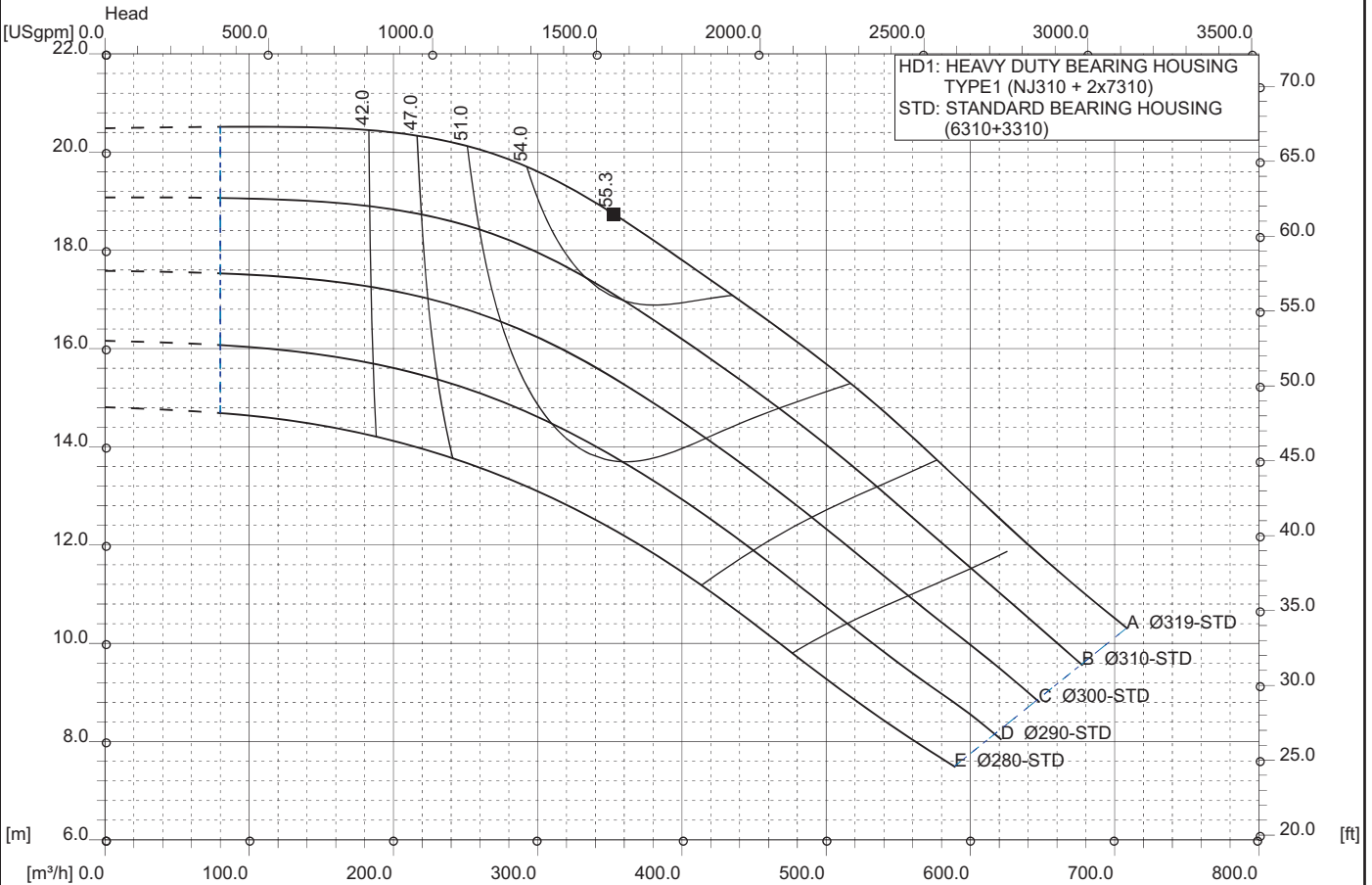


RC 150-31 6P 60Hz
 1175 [rpm]
 1 Stage

Curve N.
T-0855

Max. diameter 319 [mm]	Min. diameter 280 [mm]	Suction Ø 200 [mm]	Discharge Ø 150 [mm]
----------------------------------	----------------------------------	------------------------------	--------------------------------

Density 1 and viscosity 1 cSt Replace any previous edition



Comments
For pumps working with liquids having specific gravity higher than 1.15 and viscosity higher than 200 cSt, please contact the Technical Dept.

Diffuser	Impeller	NS 41	SSS 134	Author	Date Nov21,2017	Revision
----------	----------	-----------------	-------------------	--------	---------------------------	----------